

ABOUT COMPANY

PT. LNS Indonesia has established itself as a leading provider of Mechanical & Electrical Engineering Services, excelling in various industries including Cement Plants, Oil & Gas Plants, and Power Plants.

OUR SERVICES



General Services/ Repair/Maintenance

- General Steel Structure or Pipe (Fabrication & Machining)
- Electrical Services (Rewinding Motors, Overhaul, Commissioning Test, etc)
- Overhaul Cement Plant & Equipment (Raw Mill, Finish Mill, or All Area)
- Overhaul/ Repair Boiler Equipment (Pulverizer, Coal Feeder, etc)
- Catalyst Handling Services (Change out Catalyst/ Adsorbent)



Special Repair/ Services

- Crack Repair
- Lock & Stitching
- Bolts/ Nut Removal
- Spark Erosion (EDM)
- Thread Repair
- Full Torque Insert
- Grinding Roll Hardfacing
- Overlay & Journal Shaft
- Assembly Refurbish
- Onsite Flanges Refacing



Pressure Part & Fabrication Services

- Retubing Boiler, Condensor, Shell & Tube Heat Exchanger, etc.



High Quality Boiler Bending Tubes

- U Bend, Elbow, 3-D, Waterwall Opening, Peep Hole, etc.



Trouble Shooting & Field Engineering Services

- Kiln Shell Replacement, Kiln Main Gear Reversment, Kiln Tyre Replacement, Kiln Support Roller Replacement, Redesign/ Reengineering components, etc.



Product & Part Supply

- Foundry (Casting Parts/ Equipment), Boiler & Condensor Tube, Semperit Belt Conveyor, Alfa Laval PHE, Filter & Purifier, SLCE Fresh Water Maker, Andritz Aquaguard/ Screen, Pipes & Fitting, Valves, Pump & Motor, Etc.

CERTIFICATES

1. Nomor Induk Berusaha Risk Based Approach (NIB-RBA 2021) (SIUP, TDP, S. Ket Domisili)
2. Sertifikat Member of EASA (The Electro Mechanical Authority)
3. D&B Rating 4A3
4. SBU Jasa Konstruksi (SBUJK)
5. Ijin Usaha Jasa Konstruksi (IUJK)
6. Asosiasi Rekanan Pengadaan Barang dan Distributor Indonesia (ARDIN)
7. Kamar Dagang Indonesia (KADIN)
8. Sertifikat ISO 9001 : 2015
9. Sertifikat ISO 45001 : 2018
10. Sertifikat ISO 14001 : 2015
11. Surat Ijin Usaha Jasa Penunjang Tenaga Listrik (SIUJPTL)
12. Surat Kemampuan Usaha Penunjang (SKUP) MIGAS
13. Sertifikat Pengganti Dokumen Administrasi (SPDA) SKK MIGAS
14. Sertifikat CSMS (Pertamina, TPPI, PJB, e-CHSEMS SKK Migas, Pupuk Indonesia, dll)

OFFICIAL PARTNER

SEMPERIT   

OUR LOYAL CUSTOMER



Contact Us:

Email: info@lns.co.id
Phone: (+62) 31 748-4280
Fax: (+62) 31 748-4281

Visit Our Office:

Blk. B, Margomulyo Jaya
Jl. Sentong Asri No. 22, Bibis,
Kec. Tandes, Surabaya, Jawa Timur, 60186

C O N T A C T



PT LNS INDONESIA BUSINESS UNIT PRODUCT SPECIALIST

PROJECT HISTORY



Service Separator
MMB206
PLTU Paditan



Pengadaan dan
Pemasangan Compabloc
Energy Equity Epic - sengkang



Inspeksi PHE T15-MFD
PT Petrokimia Gresik



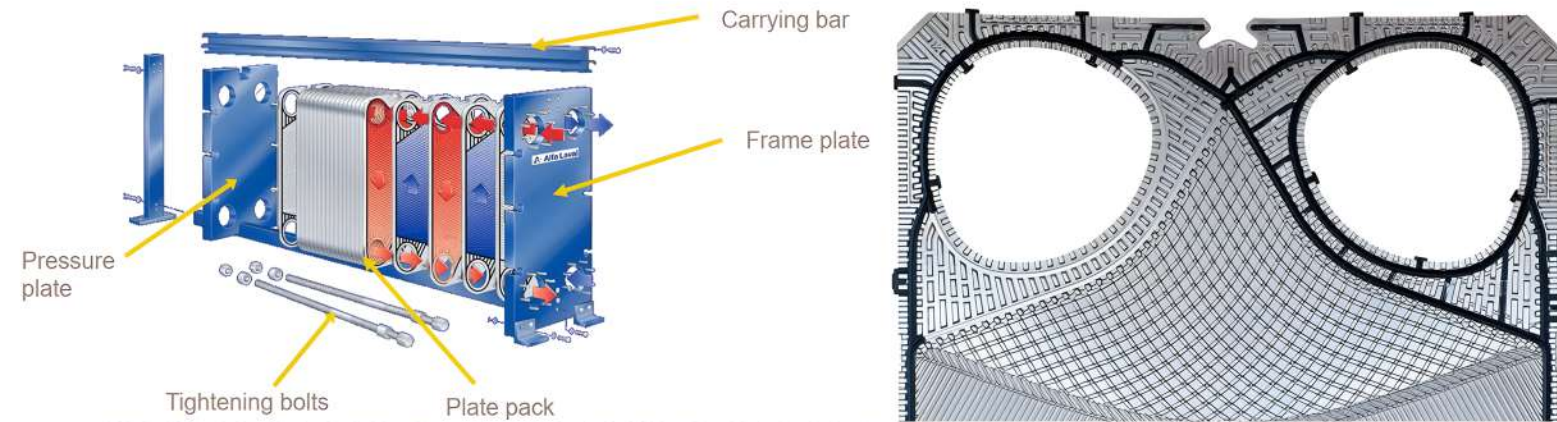
Assessment MAB-206
PLTU Rembang



ABOUT

Alfa Laval's business activities have one sole focus – **providing you as the customer with technologies and solutions** that help you optimize a wide range of your key industrial processes still further.

ALFA LAVAL PLATE HEAT EXCHANGER



WORKING PRINCIPLE

The basic plate heat exchanger consists of a series of thin, **corrugated plates that are gasketed or welded together** (or any combination of these) depending on the liquids passing through. The plates are then compressed together in a rigid frame to create an arrangement of parallel flow channels. One fluid travels in the odd numbered channels, the other in the even.

ALFA LAVAL OIL CLEANING MODULE for mineral oils

Separation takes place **in a disc stack centrifuge**. The feed is pumped into the centrifuge where centrifugal force separates the feed liquid into its different phases.

FEATURES & BENEFITS

- Simple skid-mounted design that is compact and robust
- Removes both solids and water at the same time, and on a continuous basis
- Easy, rapid start-up procedure
- Low operating costs
- Low maintenance requirements, with easy access
- Eliminates need to dispose of filter cartridges, ensuring that sludge disposal has minimal environmental impact
- Extremely reliable, ensuring long service life



RAPIDE STRATA

Short Cycle Regeneration Ion Exchange Deionisation

Rapide Strata two-bed or three-bed units produce high purity water for a range of industrial applications. The unique design offers savings of up to 40% on operational and waste water costs compared to conventional deionisation systems.

“Flow rates from 2.5 to 60 m³/hr”

FEATURES & BENEFITS

- **3 models available**, Rapide Strata, Rapide Strata+, and Rapide Strata+ Extended Regeneration in varying sizes
- **Standard regeneration in 35-45 minutes:** minimizes down time, enhances bacterial control, improves chemical usage efficiencies
- Control system PLC, Touch Screen HMI, Veolia Vision. Ready: **facilitate monitoring and operation**
- Duplex operation mode for continuous water production: **increased production capacity**
- Continuous conductivity monitor with auto service shut-off and alarm: **ensures water quality**
- Continuous, intermittent or zero recirculation of water when tank reaches high point: **operational flexibility**
- Skid-mounted, **standardised systems:** short lead times, quick installation and start-up
- **Variable frequency drive (VFD)** on the pump on larger models (23/23+ to 60/60+)



APPLICATIONS

- Pharmaceutical
- Beverage
- High&Medium Pressure Boiler Feed
- Surface Finishing
- General Industry

FIRST-CLASS CONVEYOR BELTS

“Pushing the boundaries of engineering performance”

BOOST YOUR BUSINESS OUTPUT | By complementing your conveyor system with optimum conveyor belts for your application. Our know-how, experience and the versatility of our products make Sempertans a partner of choice to ensure safe and highly efficient conveying even under the most demanding conditions.

- **QUALITY FOCUS**
- **PROJECT OPTIMISATION**
- **TECHNICAL CONSULTING**
- **DEDICATED FIELD SERVICE**



OUR ADDED VALUE: COMPLETE SOLUTION PROVIDER



APPLICATIONS

- **Mining** Open-pit Mining, Underground Mining, Lignite and hard rock Mining
- **Steel Industry**
- **Cement Industry**
- **Harbours**
- **Other Industries** Aggregates ~ Chemical Ind. ~ Grain, Sugar Ind. ~ Salt ~ Paper Ind. ~ Power Ind. ~ etc.

FIRST PARTNER OF CHOICE FOR OUR CUSTOMERS



LIFECYCLE MANAGEMENT

Sempertans partakes in all stages of the conveyor belt production process with the involvement of skilled professionals who are experts in their field. This way, we possess greater flexibility to conceive product solutions which meet the changing demands of the market. As a customer, you benefit from continuous quality control and robust, long-lasting belts to support your transport projects.



www.alfalaval.com



www.veoliawatertechnologies.com

www.sempertans.com

